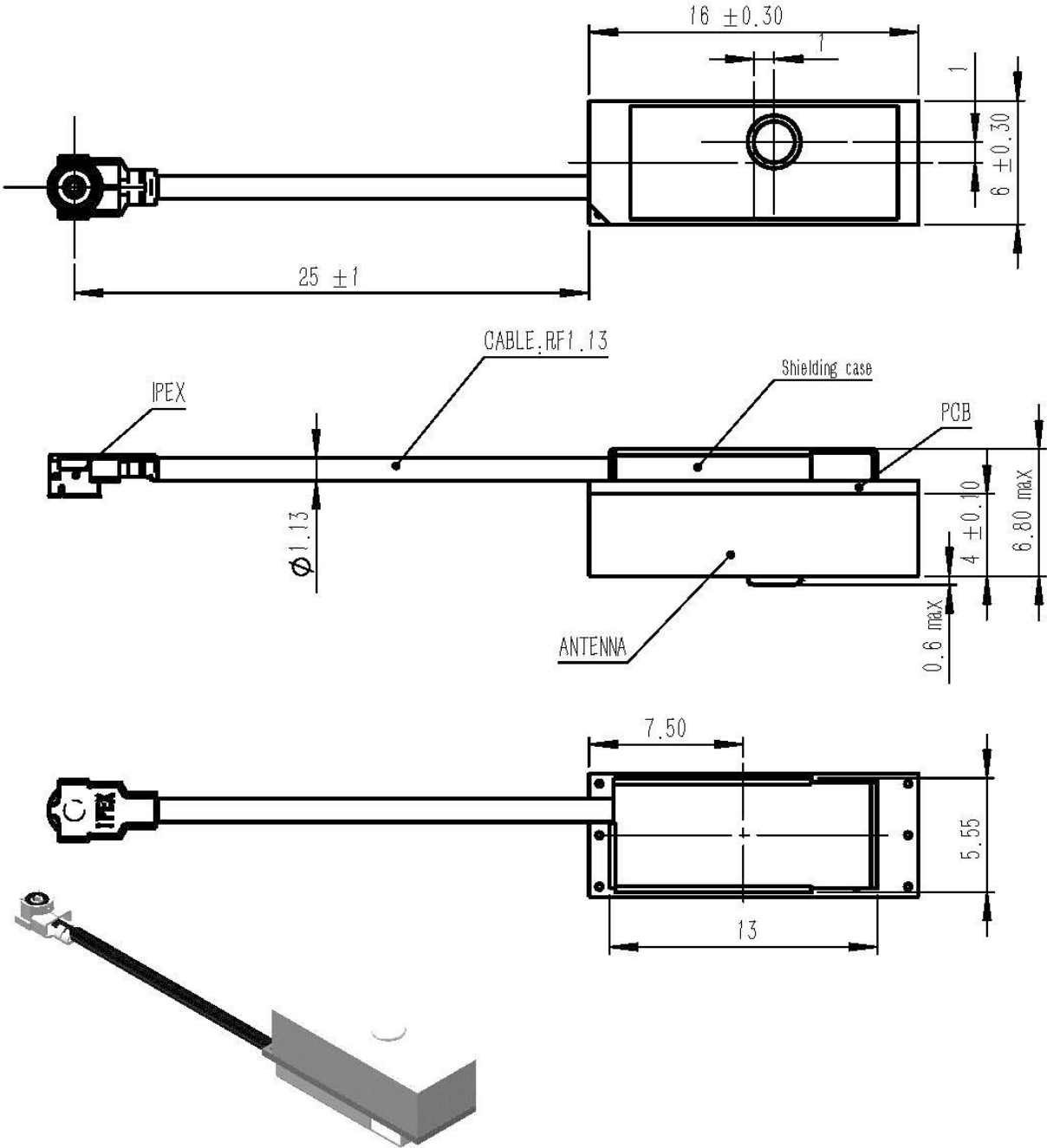


GPS ANTENNA SPECIFICATION

Model No.:RY-GPS-160640



1. Electrical Characteristics

Antenna		
1	Antenna model	160640A (16mm*6mm*6.5mm)
2	Frequency Range	1575.42MHz ± 2MHz
3	V.S.W.R	2.0 MAX
4	Band With@10dB	8MHz MIN
5	Gain	-3.5 dB typ @20mm*6mm groundplane
6	Impedence	50 Ω
7	Polarization	Linear
LNA (低噪放)		
1	Frequency Range	1575.42MHz ± 2MHz
2	DC Voltage	3.5 ± 0.5V
3	DC current	4.2 ± 2Ma(@3.0V)
4	Gain	15 ± 3dB(without cable @25°C ± 10°C)
5	Output VSWR	2.0 MAX
6	Noise Figure	1.5 MAX

2. Material

No	Part Name	SPEC
1	Antenna	Dielectric Ceramics
2	PCB	FR4
3	Shielding Case	Tin
		13.0mm × 5.5mm × 1.3mm
4	RF Cable	RF1.13mm
		L=50mm
5	RF Connector	IPEX

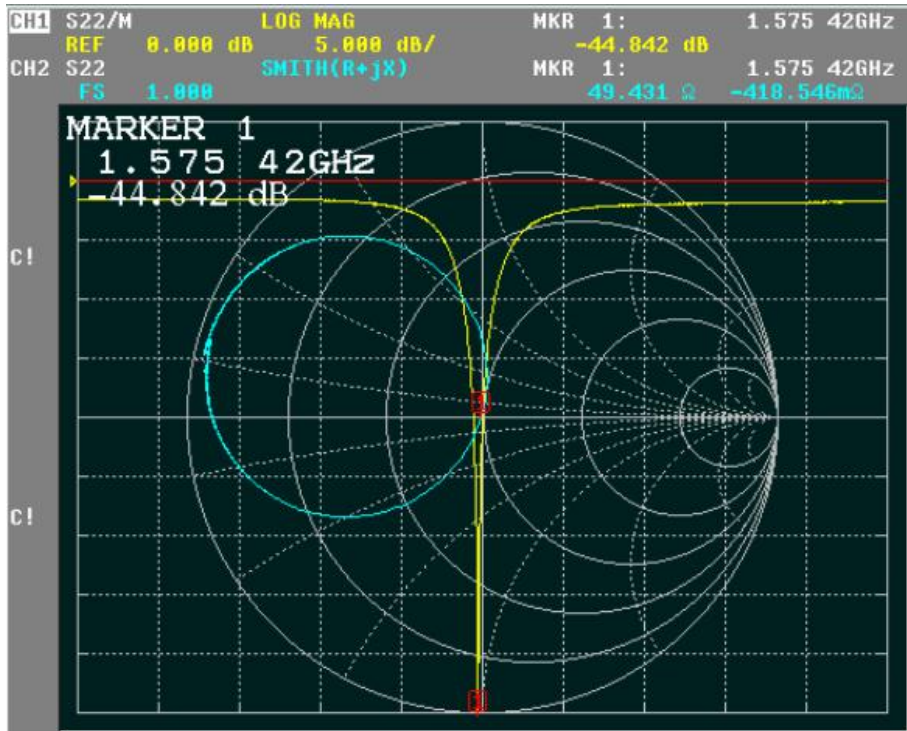
3. Environment Condition

1	Working Temp (工作温度)	-40°C ~ +85°C, 10% ~ 95% RH
---	---------------------	-----------------------------

2	Storage Temp (贮存温度)	-55°C~+100°C, 10%~95% RH
3	Vibration (震动)	Sine sweep @1.5mmAM 10~55Hz each Axis

4. Testing Curve

1. Patch Simth& VSWR



2. LNA Gain (低噪放增益)

